

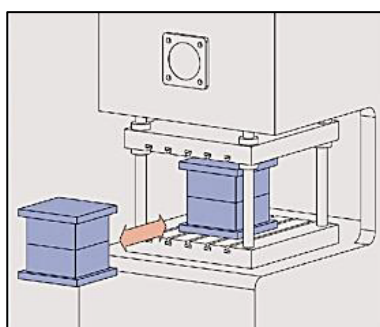
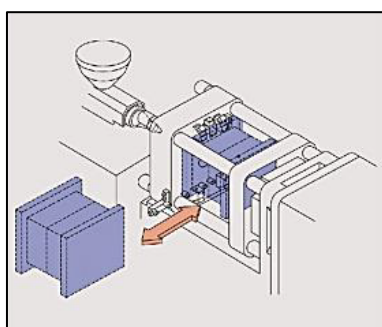


Features

- ※ This truck is Electric driving but needn't rails.
- ※ It can reduce Molds exchange working time and ensure safety handing.
- ※ Apply for press, Injection Die-casting machines' molds lifting and travelling.

規格說明 Specifications

型式	Model		LMC-30SM	LMC-50SM
負載能力	Loading capacity	kg.	3000	5000
揚昇高度	Lifting height	mm.	900 ~ 1200	1000 ~ 1300
行走馬達	Driving motor	kw.	1.2	1.5
升降馬達	Lifting motor	kw.	2.0	2.0
行走速度控制	Driving controller	mm.	微電腦無段式 Transistor	微電腦無段式 Transistor
台面尺寸	Table dimension	mm.	1000 * 1000	1200 * 1200
電瓶	Battery	Ah/5hr.	180	180
電瓶重量	Battery weight	kg.	180	180
充電機	Power charger		DC24V/30A	DC24V/30A



本公司保留本產品的設計變更權力，變更時未能一一通知，敬請見諒。
本公司並接受客戶特殊指定規格或尺寸設計製造。

We reserve the data right to improve the products without prior notice and if you have any questions or special requirements please don't hesitate to contact us.



www.liftek.com.tw

LIFTEK

工作省力 提升效率